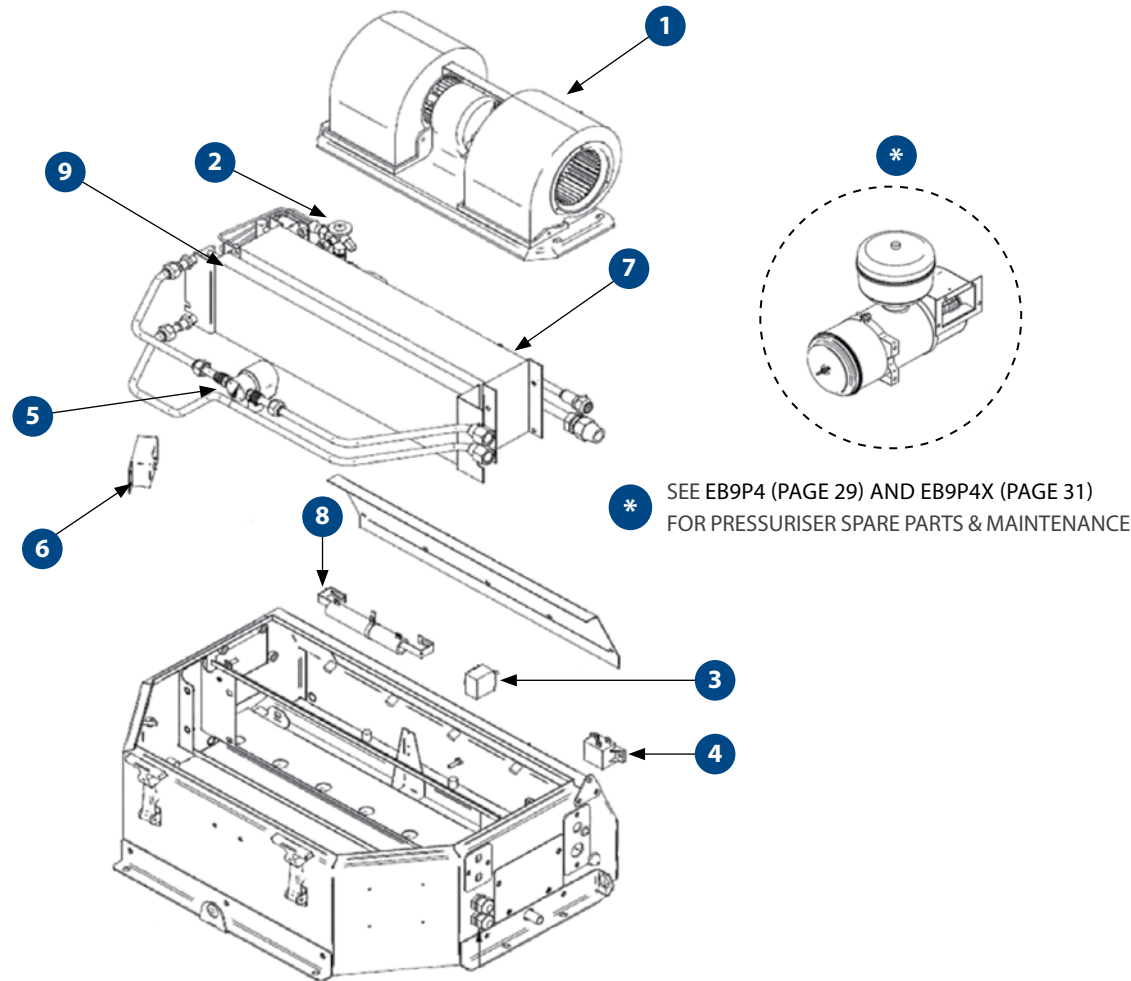
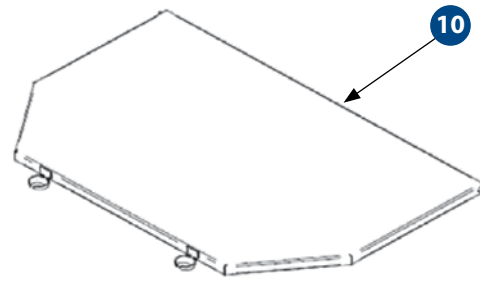


# TFR7

## ROOFTOP EVAPORATOR

**TFR7BX2**  
Rooftop Evaporator 7kW 24V with Heating (6kW)

info@autotechmining.com.au  
0412 228 671



## SPARE PARTS

PART NO.	DESCRIPTION	QTY
MC0445	RETURN AIR FILTER ASSEMBLY E&T SERIES	1
1 AS500037	SUPPLY FAN ASSEMBLY	1
AU320C053	MOTOR 3450-263 27VDC D/S	1
UF171	BLOWER 121D X 127W X 3/8" DI	2
UF173	BLOWER HOUSING LEFT HAND	1
UF174	BLOWER HOUSING RIGHT HAND	1
AU320028	MOTOR BRUSH KIT - ASSEMBLY + HOLDER	1
UF034	INLET RING 103.5MM	1
2 AU521509	TX VALVE 2T 3/8" IN 1/2" OUT 1/4" EQ R134A	1
AU521508	TX ORIFICE 2T R22 #06	1
3 UE016	THERMOSTAT DEICE STUD	1
4 AU661487	RELAY 50A 24VDC 1 POLE	1
5 UE057	VALVE SOLENOID 1/4" BSP 24VDC WATER	1
6 AU681925	THERMOSTAT 12-24VDC WITH SENSOR + POT	1
7 AU120954	EVAPORATOR COIL 570MM X 152MM X 95MM 6RW TDR6	1
8 AU692105	RESISTOR 2 OHM 100W 1 CLIPS ADJUSTABLE	1
9 AU130014	HEATER COIL 570 X 152 X 32 2RW TFR6BX2	1
10 AS247423	LID ASSEMBLY	1
AU862213	SEAL 1011-10 RUBBER	1
AU851590	TOGGLE CLAMP RUBBER	2
AU641065	CIRCUIT BREAKER 25A PUSH PULL	1
AU641C110	CIRCUIT BREAKER 15A PUSH PULL	1
AU821300	DIFFUSER ROUND 120MM POLYAMIDE	4
AU517505	VALVE ACCESS 1/4" 1/8" OD SOLDER	1
UC020	HOSE CLEAR PVC 12 5MM ID	6.00
UC504	DRAIN NOZZLE 13MM	4
AU523365	LOW PRESSURE SWITCH 1/4" FF 205kPa	1
AU663563	ROTARY SWITCH FAN	1
AU663569	ROTARY SWITCH MODE	1
AU681926	POT 10K WITH PLUG	1

\* SEE EB9P4 (PAGE 29) AND EB9P4X (PAGE 31) FOR PRESSURISER SPARE PARTS AND MAINTENANCE

## SPECIFICATIONS

	METRIC	IMPERIAL
<b>Cooling Capacity</b>	7.0 kW	23884 BTU
<b>Heating Capacity</b>	6.0 kW	20472 BTU
<b>Fan Speeds</b>	3	3
<b>Air Flow</b>	170 l/s	360 CFM
<b>Fresh Air</b>	30 l/s	64 CFM
<b>Power Supply</b>	24V	24V
<b>Current Draw</b>	13.5 A	13.5 A
<b>Refrigerant</b>	R134a	R134a
<b>Maximum Ambient Temperature</b>	54°C	129°F
<b>Weight (nominal)</b>	80.0 Kg	176.0 lbs
<b>Technical Manual Reference</b>	SM395-5000	SM395-5000
<b>Dimension L X W X H</b>	774mm X 600mm X 266mm	30.5in X 23.6in X 10.5in

## MAINTENANCE

MONTHLY / 400 HOURS	
<b>MC0445</b>	RETURN AIR FILTER ASSEMBLY E&T SERIES
ANNUALLY / 4,800 HOURS	
<b>AU320C053</b>	MOTOR 3450-263 27VDC D/S
3 YEARS / 14,400 HOURS	
<b>AU521509</b>	TX VALVE 2T 3/8" IN 1/2" OUT 1/4" EQ R134A
<b>AU521508</b>	TX ORIFICE 2T R22 #06
<b>UE016</b>	THERMOSTAT DEICE STUD
<b>AU661487</b>	RELAY 50A 24VDC 1 POLE
<b>UE057</b>	VALVE SOLENOID 1/4" BSP 24VDC WATER
<b>AU681925</b>	THERMOSTAT 12-24VDC WITH SENSOR + POT
<b>AU862213</b>	SEAL EMKA 1011-10 RUBBER

Please contact SIGMA for more information including details on an overhaul scope and interval. Maintenance periods and scope are dependent on application and site conditions, and are to be used as a guide.

## COMPANION ITEMS

PART NO.	DESCRIPTION
<b>TCF7BX2</b>	Electric Condenser
<b>EB9P4X</b>	Pressuriser
<b>H0017479</b>	Hydraulic Compressor
<b>H0017481</b>	Hydraulic Compressor
<b>AU1102401</b>	Radiator Condenser
<b>AU270306</b>	Engine Driven Compressor
<b>AU270307</b>	Engine Driven Compressor
<b>AU2790311</b>	Engine Driven Compressor
<b>AU270312</b>	Engine Driven Compressor
<b>AU531411</b>	Receiver Drier
<b>AU531422</b>	Receiver Drier
<b>AU523655</b>	HP Switch